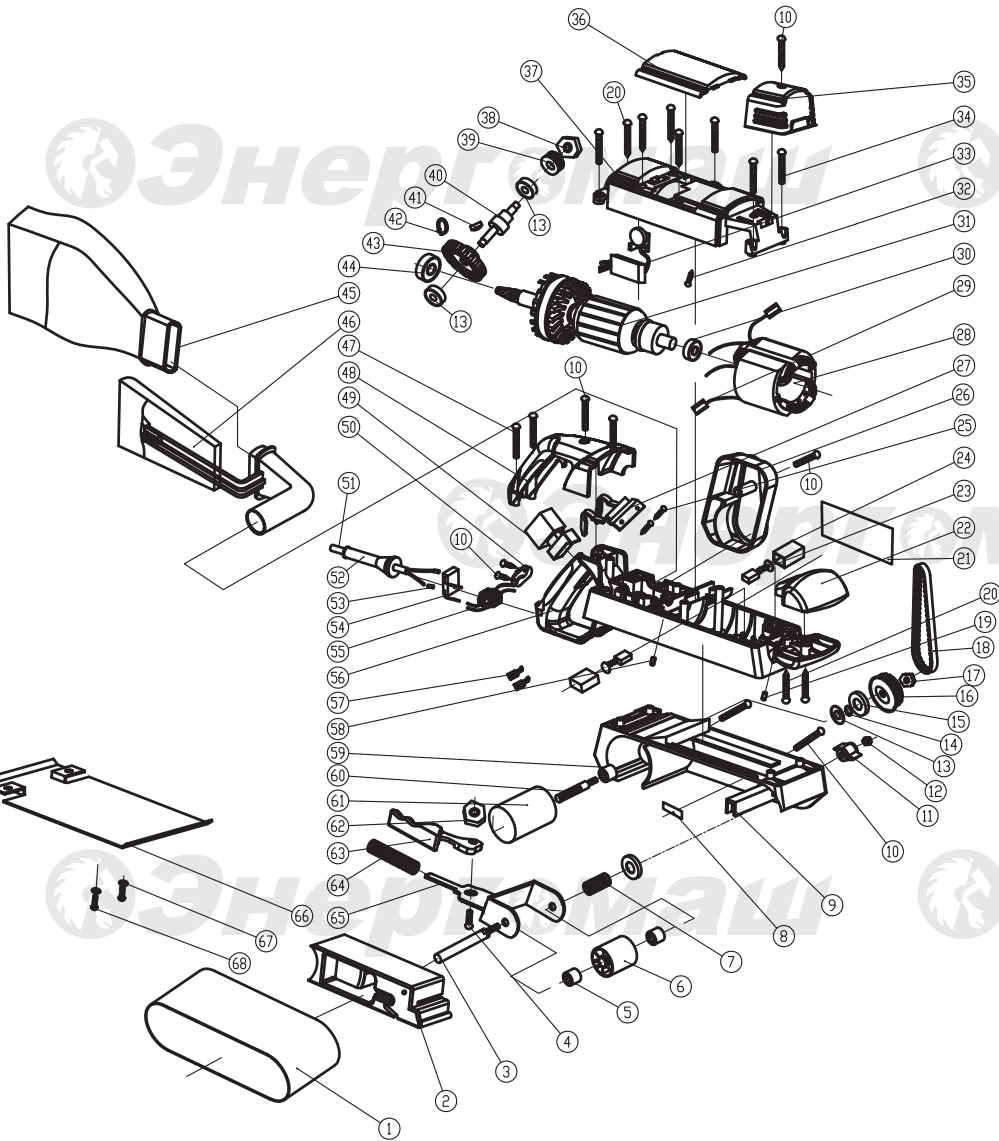


BS8511V



NO.	DESCRIPTION	NO.	DESCRIPTION
1	SAND BELT 76*535	35	CARBON BRUSH GUARD
2	PLASTIC BRACKET	36	TOP COVER
3	FRONT WHEEL AXIS	37	TOP ENCLOSURE
4	TAPPING SCREW	38	M6 SCREW
5	NEEDLE BEARING HK101613	39	SMALL PULLEY WHEEL
6	FRONT WHEEL	40	OUTPUT SHAF
7	ADJUSTABLE SPRING	41	WOODRUFF KEY
8	CERAMIC SHEET	42	CIRCLIP Ø10
9	BASE	43	BIG GEAR
10	TAPPING SCREW	44	BEARING 6000
11	ADJUSTABLE KNOB	45	DUST COLLECTION BAG
12	LOCKNUT	46	DUST EXTRACT COUPLER
13	BEARING 608	47	TAPPING SCREW
14	CIRCLIP Ø22	48	HANDLE CAP
15	FLAT WASHER Ø8	49	SWITCH
16	BIG PULLEY WHEEL	50	CORD PRESS BOARD
17	NUT M8	51	POWER CORD&PLUG
18	BELT	52	CORD GUARD
19	ANTI-SHOCK PIN	53	CONNECTION BUSH
20	TAPPING SCREW	54	CAPACITOR
21	LABEL	55	INDUCTOR
22	FRONT HANDLE COVER	56	DOWN ENCLOSURE
23	CARBON BRUSH	57	CONNECTION LUG
24	BRUSH HOLDER	58	ANTI-SHOCK PIN
25	TAPPING SCREW	59	NEEDLE BEARING HK121812
26	BELT COVER	60	REAR WHEEL AXIS
27	SWITCH GUARD	61	REAR WHEEL
28	STATOR	62	LOCKNUT
29	STATOR CLIP	63	SPANNER
30	BEARING 607	64	SPRING
31	ROTOR	65	FRONT WHEEL BRACKET
32	TAPPING SCREW	66	IRON BASE
33	SPEED REGUALTOR	67	SPRING WASHER
34	SCREW	68	SCREW

ST20111202